

# QUICK INSTALLATION GUIDE

idomatics® 







This product must be installed by a licensed electrician or other suitably qualified person.

### **IMPORTANT NOTE**

Please read the following document carefully before setting up and using your IDOMOTICS device for the first time.

# idomotics® content



Domotic  
Central

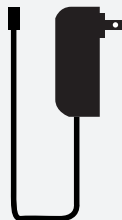


Controller

Sensor



Network  
cable



Power source  
7.5 volts  
1 ampere

## Tools required



3 mm flathead  
screwdriver



Voltage tester  
screwdriver



20 mm hole saw



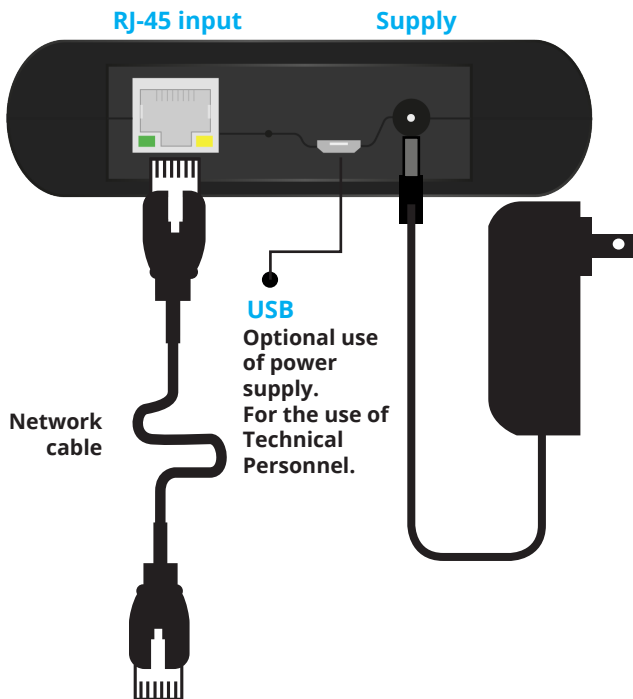
Stripping tool



0,5 or 0,75 mm cable

# idomatics® central

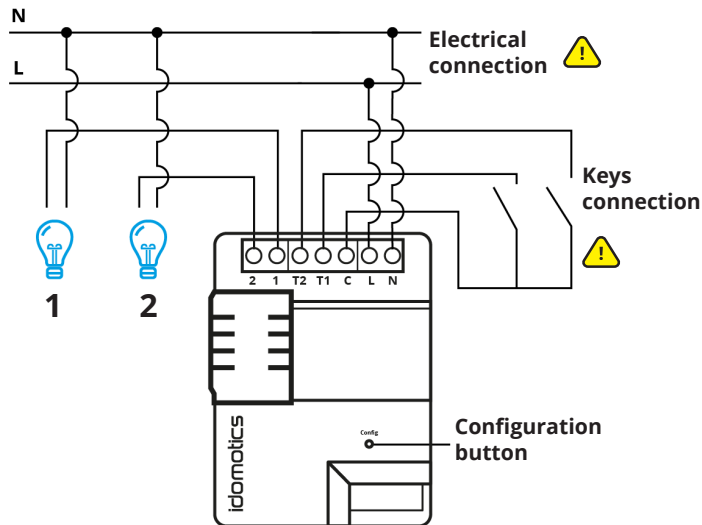
## Connections



Connect it to the Switch  
or to your Router's LAN port.

## Connection of Light controllers

Domestic network



**Important: Do not connect the keys to the domestic supply network.**

- Neutral cable inside the light box needed.
- Works with one or two lights.
- **T1** corresponds to light 1, **T2** to light 2.

## Installation of Light controllers

For filament light bulbs, low energy bulbs, LED (110-220V), fluorescent tubes, dichroic bulbs (110-220V).



**Extreme care: handling objects with electrical voltage! Danger of electrocution!**

Proceed only trained electrician or other suitably qualified person. We recommend placing the controller next to the light switch.

- 1.** Dismantle the frame. If you use the light and temperature sensor, at least one blind module is required.
- 2.** Identify the return conductor of the lamps and the line or phase cable, using a voltage tester screwdriver. If you can't find one, add a neutral cable, which will be necessary for the performance of the controller.

### **-OPTIONAL-**

- 3.** Take the blind module off the frame and make a 20mm hole in the middle with the holesaw. A power driver is recommended for this.
- 4.** Disconnect the sensor's module from the light switch controller and press it onto the hole of the blind module. We recommended gluing it in place with silicone or multipurpose glue.

**5.** Cut three cables with a maximum length of 8cm and connect them to the corresponding terminal board of C, T1 and T2 of the controller's keys. It is recommended that you do not strip the cable more than 5mm with the cable stripper.



**IMPORTANT. CUT THE ELECTRICITY OF THE RESIDENCE BEFORE CONTINUING.**

**6.** Disconnect the returns from the keys of the frame and connect them to the terminals 1 and 2, and Line and Neutral to the terminals L and N. Use a 3 mm flathead screwdriver.



**N:** Neutral cable

**L:** Line or Phase cable

**1:** Light return 1

**2:** Light return 2

See the installation diagram to verify the connections.

**7.** Connect the cables connected to the frame of the light switch controller to the keys of the frame, then connect the module to the sensors. (See diagram of connection of Light Controller)

**C:** Common

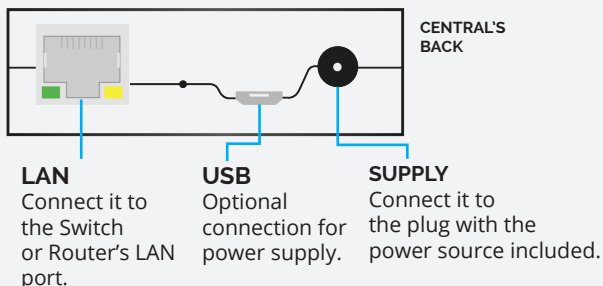
**T1:** Light controller 1

**T2:** Light controller 2



Introduce it in the metal case inside the wall but **DO NOT** close it with the frame. Install the rest of the controllers before continuing.

**8.** Connect the electricity of the residence and proceed to install the central.



**9.** With the idomatics server installed and configured, add the corresponding device. ( see page 13 of the User manual)

Move the handle named 'CONFIG' on the light controller to its opposite side.

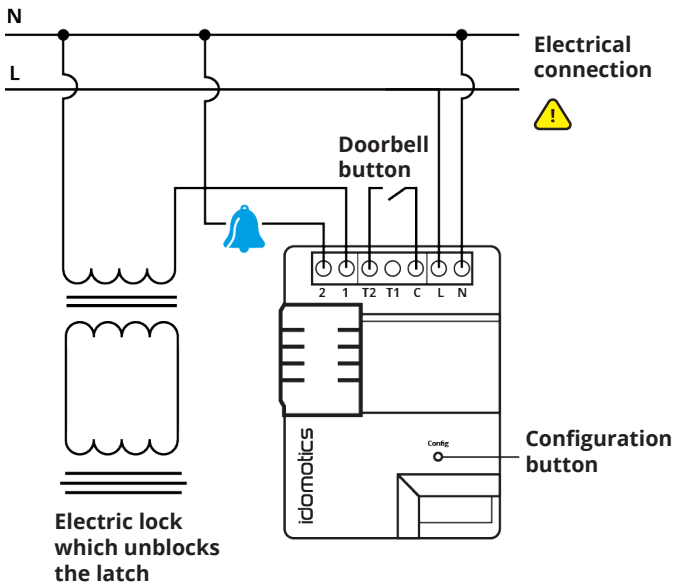
Once you can see the 'identifier' code on the configuration of the device, close with  (see page 14 of the User manual)

**10.** You can now see and operate the controller on the client app. Proceed to adjust the frame.

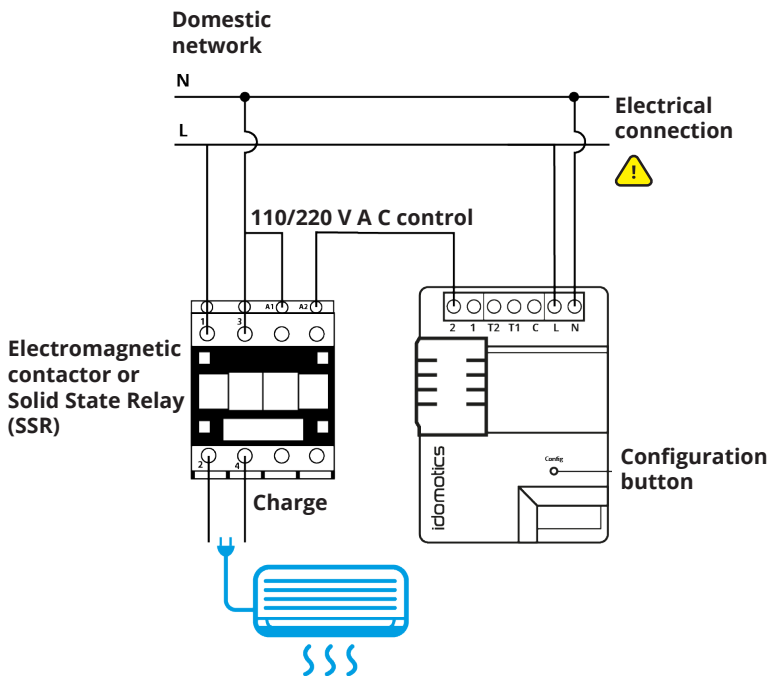
## ■ Uses: Light Controller

How to connect it to the electric lock.

Domestic network



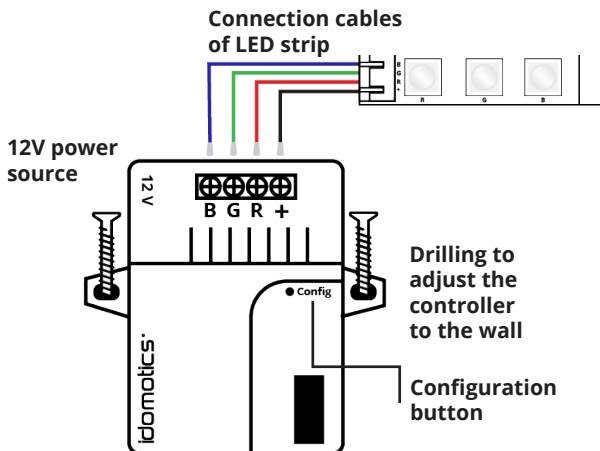
How to connect it to an air conditioner.



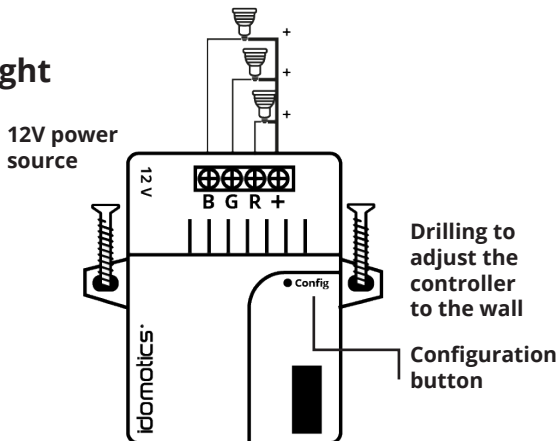
- NOTE: if the control uses an SSR, it only shuts off one power phase and the other one remains constantly connected to the charge.

## Connection of the RGB controller

### RGB



### LED light



# Installation of the RGB controller

For LED or monocolour light strips / 12 VDC RGB with common positive up to 2 A per channel.

- 1.** Take the controller to the place where it will be connected to measure the length of the cable needed, taking into account the 12V power source cable.
- 2.** Strip the cables which connect the RGB, up to 5mm with the cable stripper.
- 3.** Proceed to connect the lights.  
RGB lights:

- +**: positive of RGB light
- G**: colour green
- R**: colour red
- B**: colour blue

For monocolour lights:

- +**: positive of the three lights
- G**: negative of light 1
- R**: negative of light 2
- B**: negative of light 3

\*It's not necessary to connect the three lights.  
See the installation diagram to verify the connections.

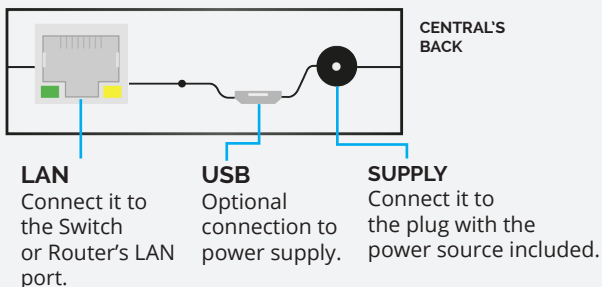
Use a 3mm flathead screwdriver.



#### 4. Connect the power source.

Install the rest of the controllers before continuing, and connect them to terminals 1 and 2, and Line and Neutral to L and N.

#### 5. Proceed to install the central.



#### 6. Add the corresponding device when the **idomotics** server is already installed and configured. (See page 13 - Configuration manual)

Press the button named 'CONFIG' on the RGB controller once, with a slim item.

Once you can see the 'Identifier' code on the configuration of the device, close pressing  (See page 14 - Configuration manual)

**7.** You can now see and operate the controller on the Client app.

Proceed to adjust the controller.



**Skype:** support.idomotics

**E-mail:** support@idomotics.com

• **To download the manuals:**

INSTALLATION

**<http://www.idomotics.com/download/idomoticsInstallation.pdf>**

CONFIGURATION

**<http://www.idomotics.com/download/idomoticsConfiguration.pdf>**

• **Learn more:**

You can find more information about idomotics and its features on:

**[www.idomotics.com](http://www.idomotics.com)**